



KwikFlange

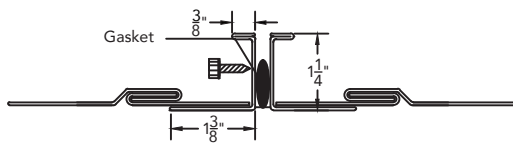


KwikFlange Connector

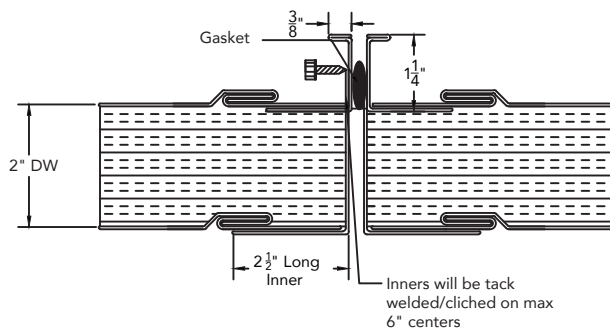
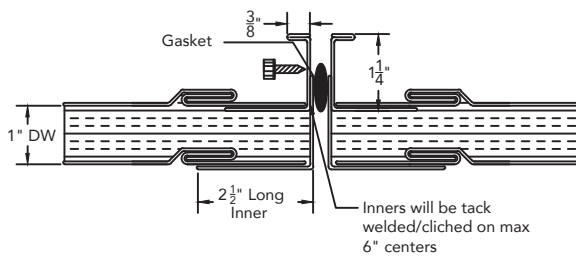
Product Code	Wall	Round and Oval (Major/Minor)	Material Type	Gauge	Tolerance	Classification
KF	SW, DW1, DW2, DW3	4"0 - 96"0	Galvanized	18ga Minimum	+1/16"/ -1/8"	T25a Connector in accordance with SMACNA, D.C.S.
		4"0 - 96"0	Galvanneal	18ga Minimum		
		24"0 - 96"0	304 SST, 316 SST	20ga Minimum		
		22"0 - 96"0	Aluminum	.050 Minimum		

KwikFlange large profile diameters 21"Ø and larger

Single wall KwikFlange – large profile

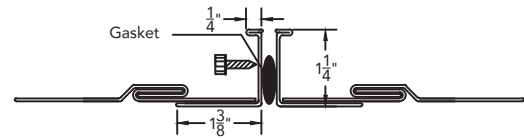


Double wall KwikFlange – large profile



KwikFlange small profile diameters 20"Ø and below

Single wall KwikFlange – small profile



Double wall KwikFlange – small profile

